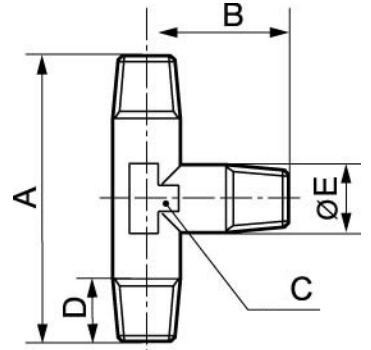


FITTINGS - ELBOWS - TEE PIECES

Tapered male tee piece - A30



Min / Max operating pressure

0 / 15 bar

Part number	Male thread	Dim. A (mm)	Dim. B (mm)	Dim. C (mm)	Dim. D (mm)	Dim. E (mm)
A30 18	R1/8	37	18.5	10	8	10
A30 14	R1/4	47	23.5	13	11	12
A30 38	R3/8	52	26	17	11.5	15
A30 12	R1/2	62	31	21	14	20
A30 34	R3/4	66.4	33.2	25	16.2	24